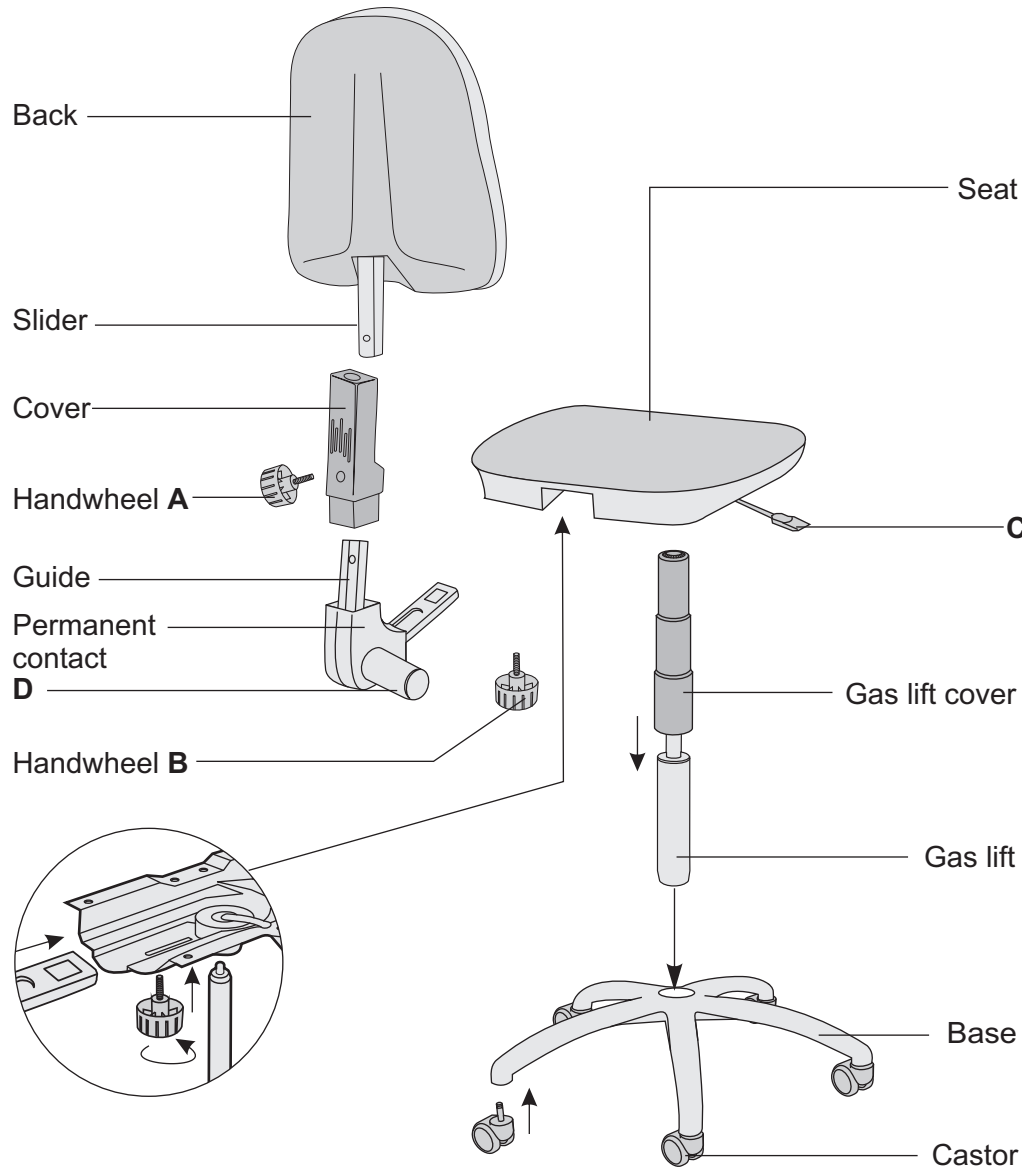


NJGB5

JUPITER TS02 RTS PST01-CPT



ASSEMBLY AND ADJUSTMENT INSTRUCTIONS

Before beginning the assembly, please check that all parts are enclosed.

PART LIST



- | | |
|---|---|
| <input type="checkbox"/> 1 base | <input type="checkbox"/> 1 permanent contact |
| <input type="checkbox"/> 5 castors | <input type="checkbox"/> 1 guide cover |
| <input type="checkbox"/> 1 gas lift | <input type="checkbox"/> 1 back with slider |
| <input type="checkbox"/> 1 gas lift cover | <input type="checkbox"/> 1 handwheel A (short) |
| <input type="checkbox"/> 1 seat | <input type="checkbox"/> 1 handwheel B (long) |

ASSEMBLY

- Press wheels onto chair base.
NOTE: H type wheels – onto soft base
W type wheels – onto hard base
- Pull gas lift cover over the gas lift.
- Insert the gas lift into base.
- Firmly locate the tapered end of the gas lift into locating hole in the seat base.
- Connect permanent contact device to the seat and tighten handwheel **B**. Slide the cover over the guide.
- Insert the back slider in the guide and tighten handwheel **A**.

ADJUSTMENT

- The seat height adjustment - lever **C**.
Gas lift allows the adjustment of the seat height.
- The back height adjustment - handwheel **A**.
By releasing handwheel **A** the back can be moved up and down. Place the back at desired position and retighten handwheel **A**.
- The back depth adjustment - handwheel **B**.
By releasing handwheel **B** the back can be moved forward and back. Place the back at desired depth and retighten handwheel **B**.
- The back tilt adjustment - knob **D**.

MAINTENANCE

- Inspection** Inspect chair at least every six months to make sure all knobs, bolts and screws are tight.
- Vinyl upholstery** Wipe with damp cloth, moistened in a mild detergent solution. For unusual stains use commercial vinyl cleaner, following manufacturer's instructions.
- Fabric upholstery** Whisk or vacuum regularly. For unusual stains use commercial nylon cleaner, following manufacturer's instructions.
- Other surfaces** Wipe with a soft cloth, moistened in a mild detergent solution. Dry and buff lightly with a dry cloth.
- Attention**
Exchange and installation of gas-lifts should only be carried out by trained specialists.