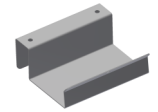
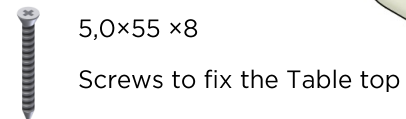
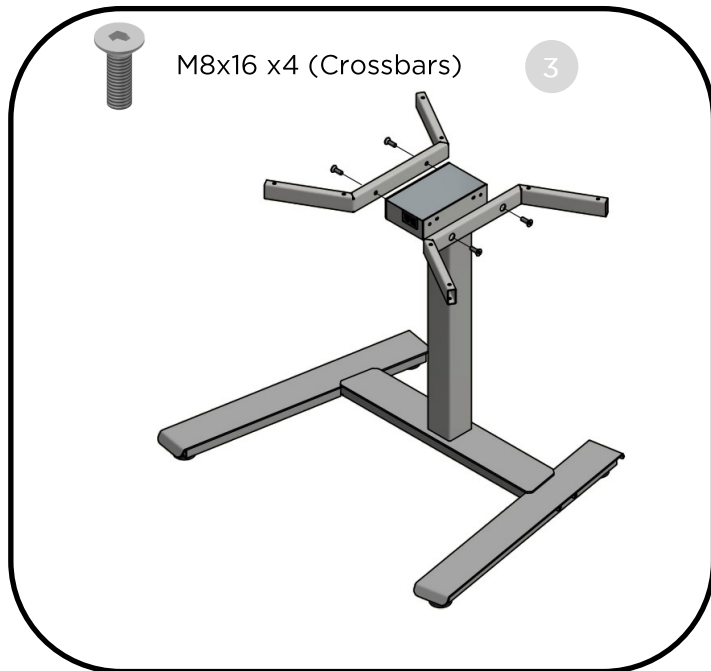
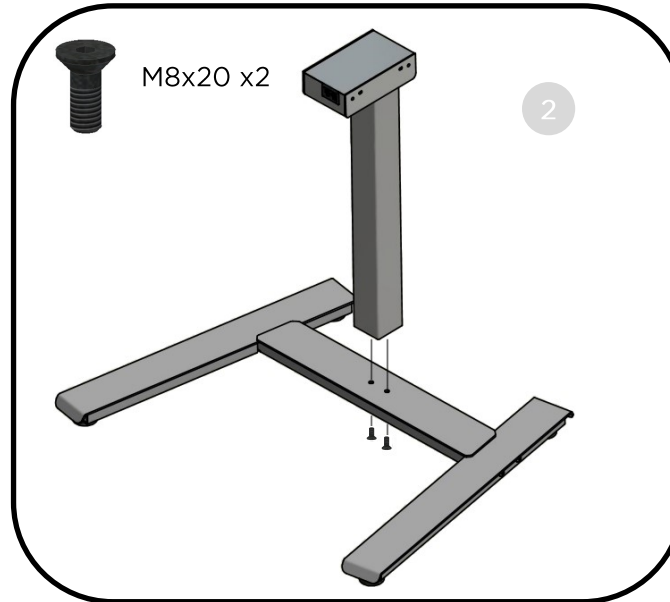
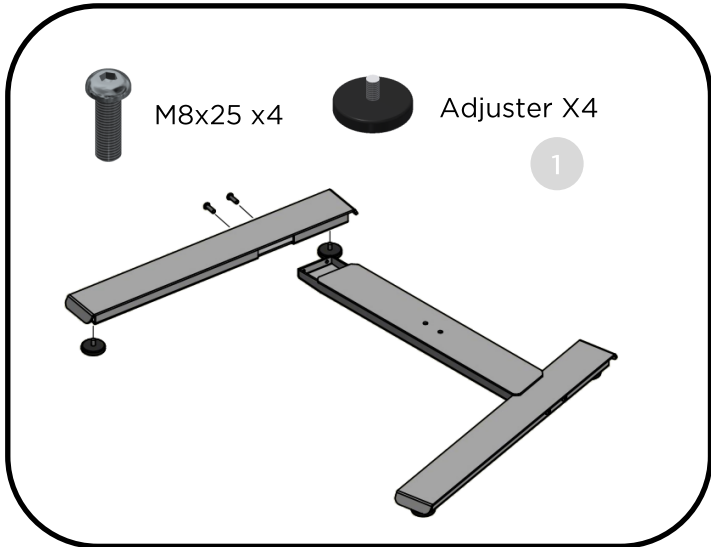


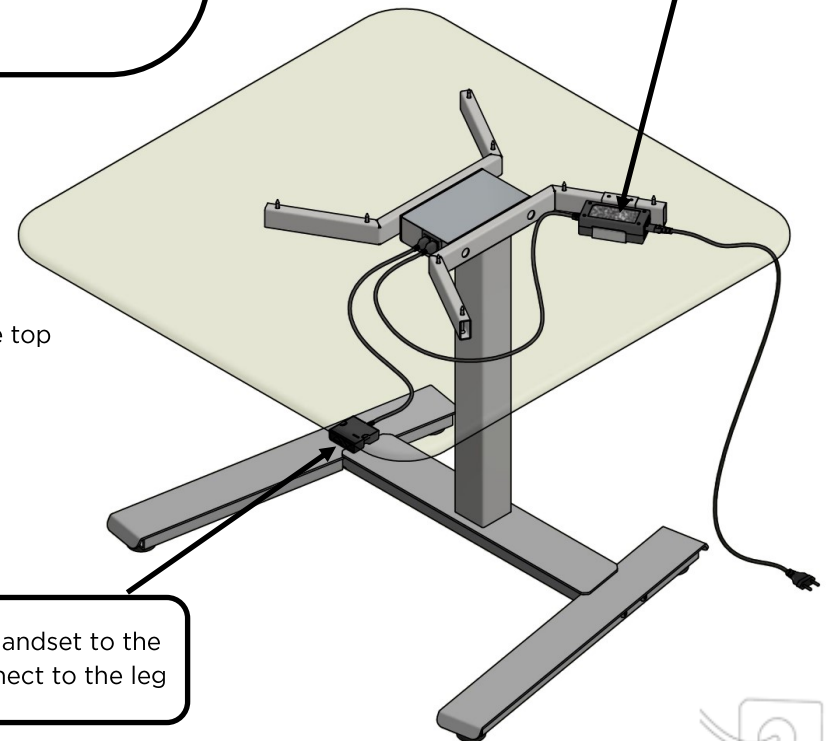
# Assembly Instructions – Single column H-Foot



Power supply holder.  
Hook the holder on the crossbar  
before fixing the Table Top

Connect the Powersupply  
to the Leg and use the  
holder to hold it in place

Screw the Handset to the  
table & connect to the leg



Plug the Cable in .  
Ready to Use!

