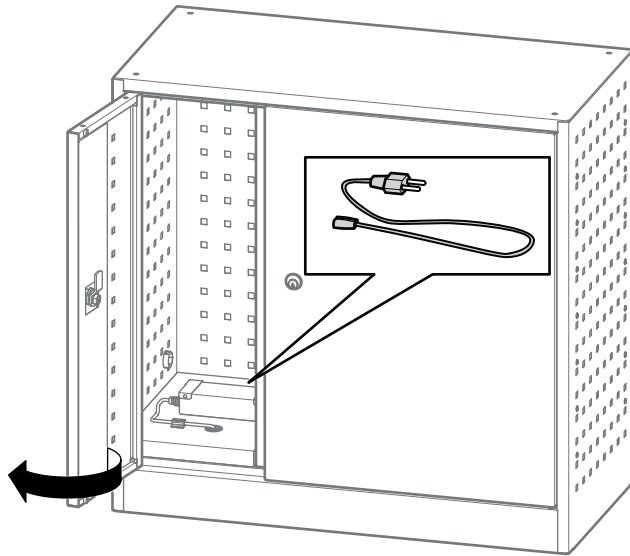




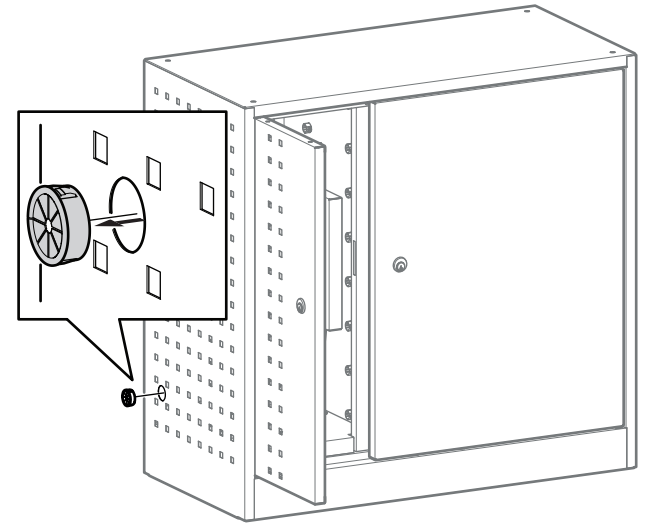
Quick Start Guide

Charging cabinet

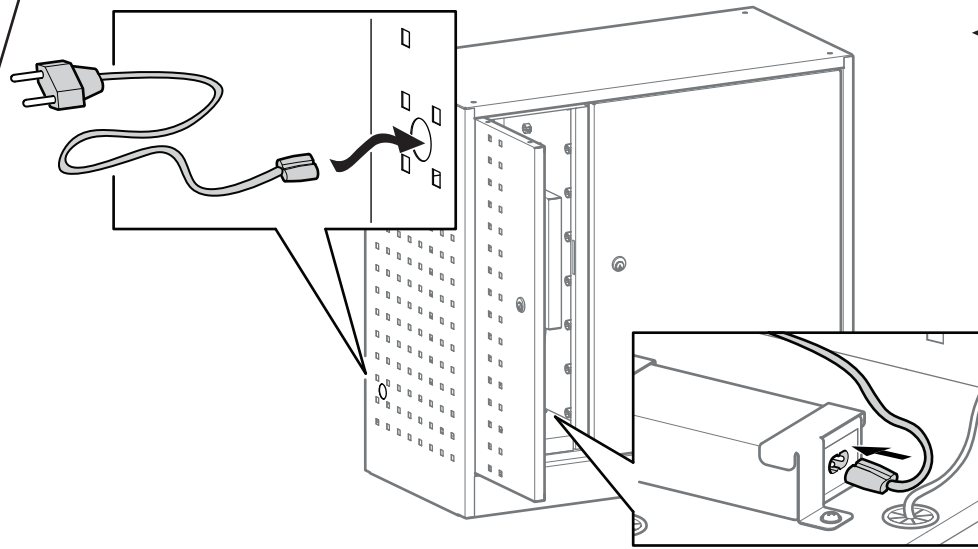
1



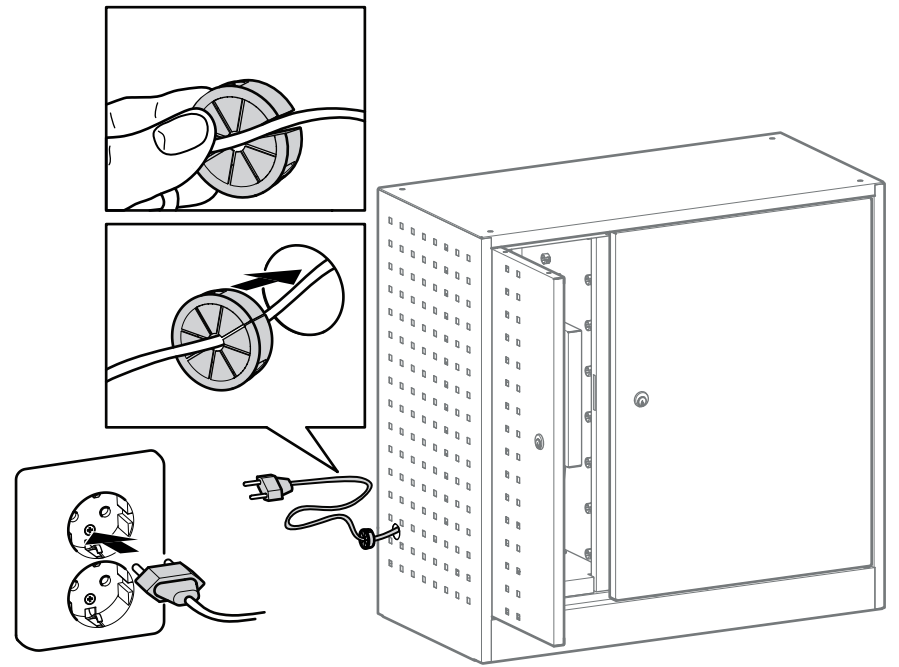
2



3

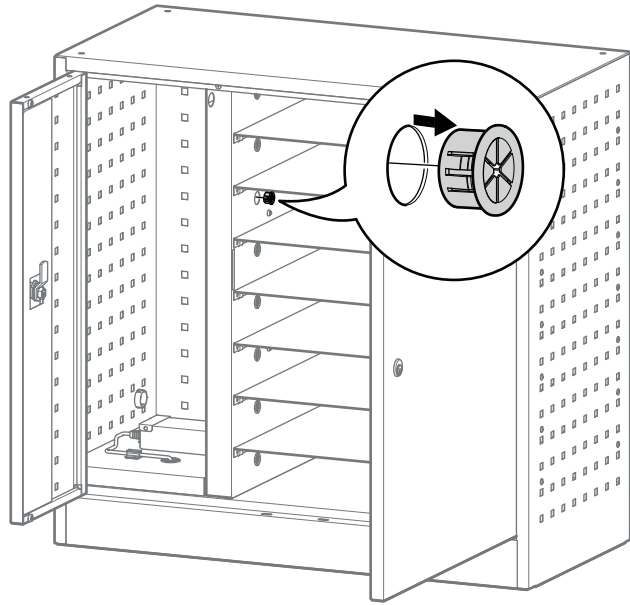


4

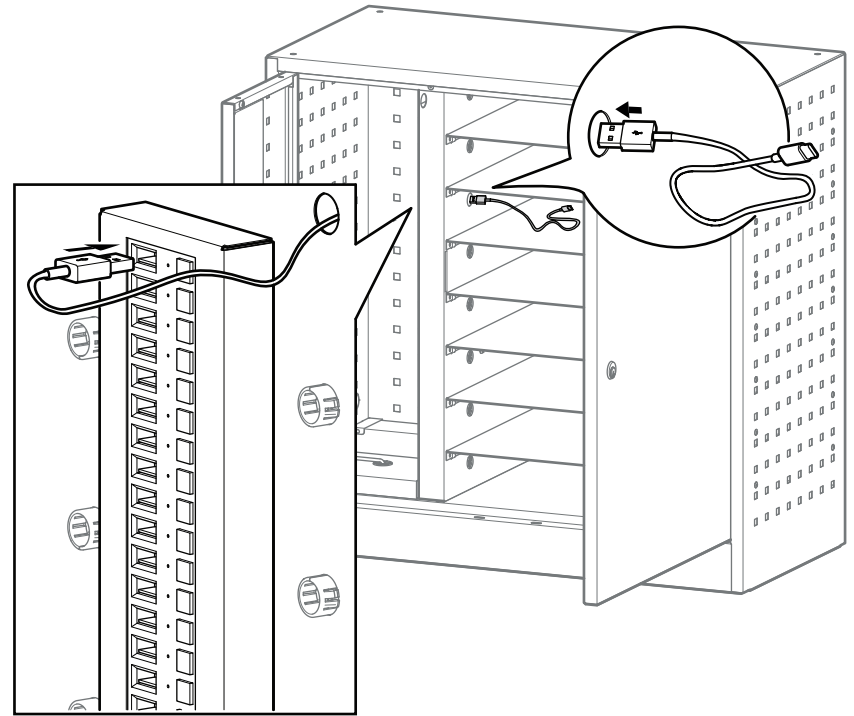


For full user manual, please visit:
www.ajproducts.com

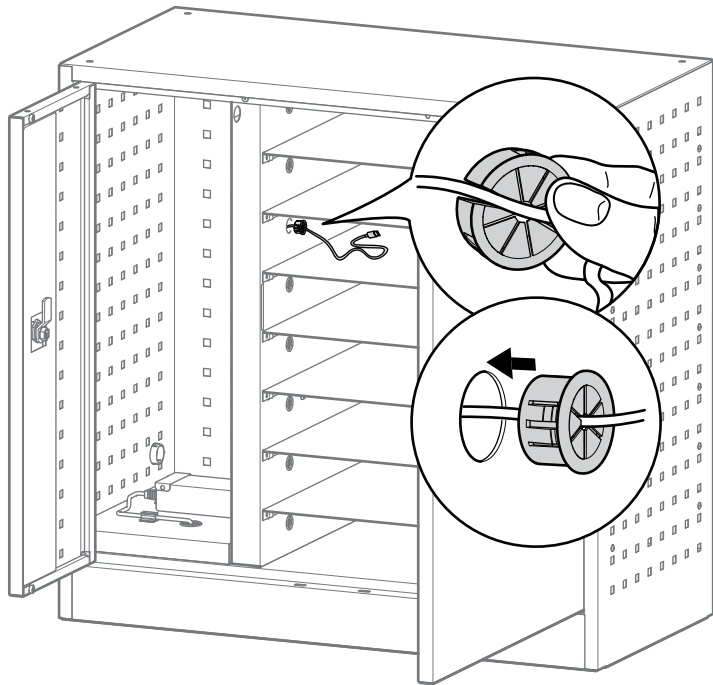
5



6



7



8

