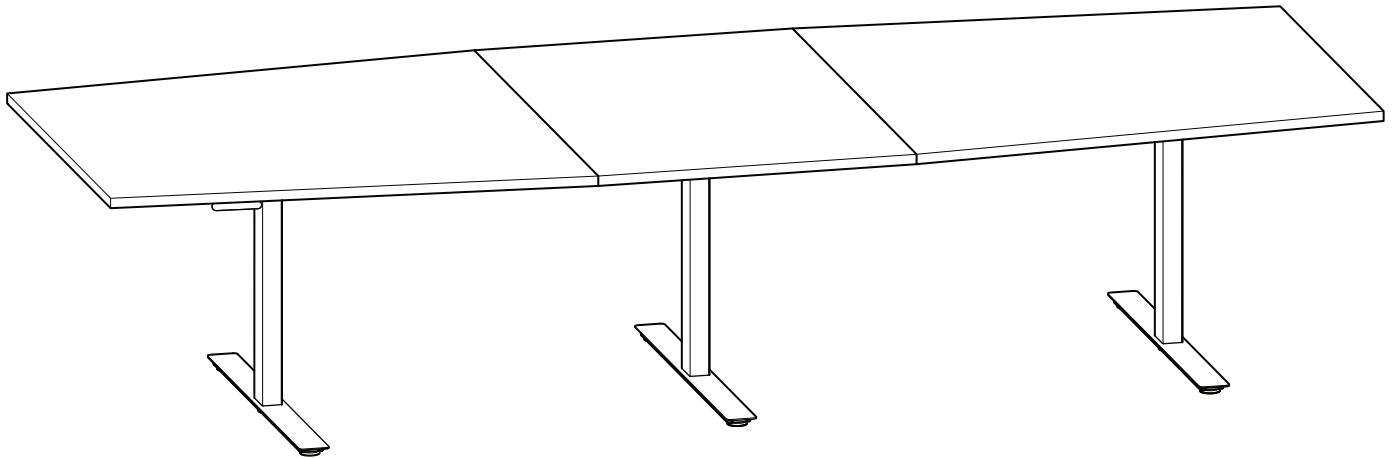
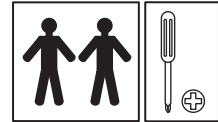


# Electric height adjustable table Assembly instructions

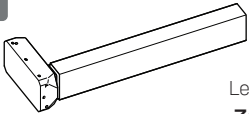
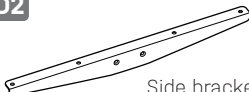
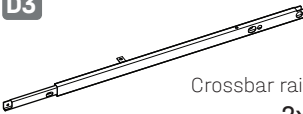
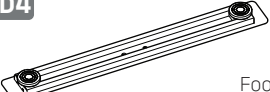

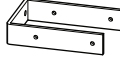
## Conference table



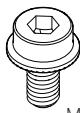



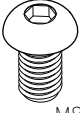

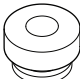


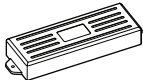
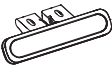
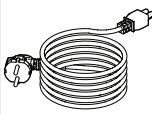
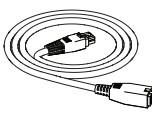
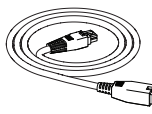
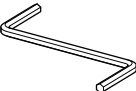
# PACKAGE CONTENTS (3-LEG TABLE)



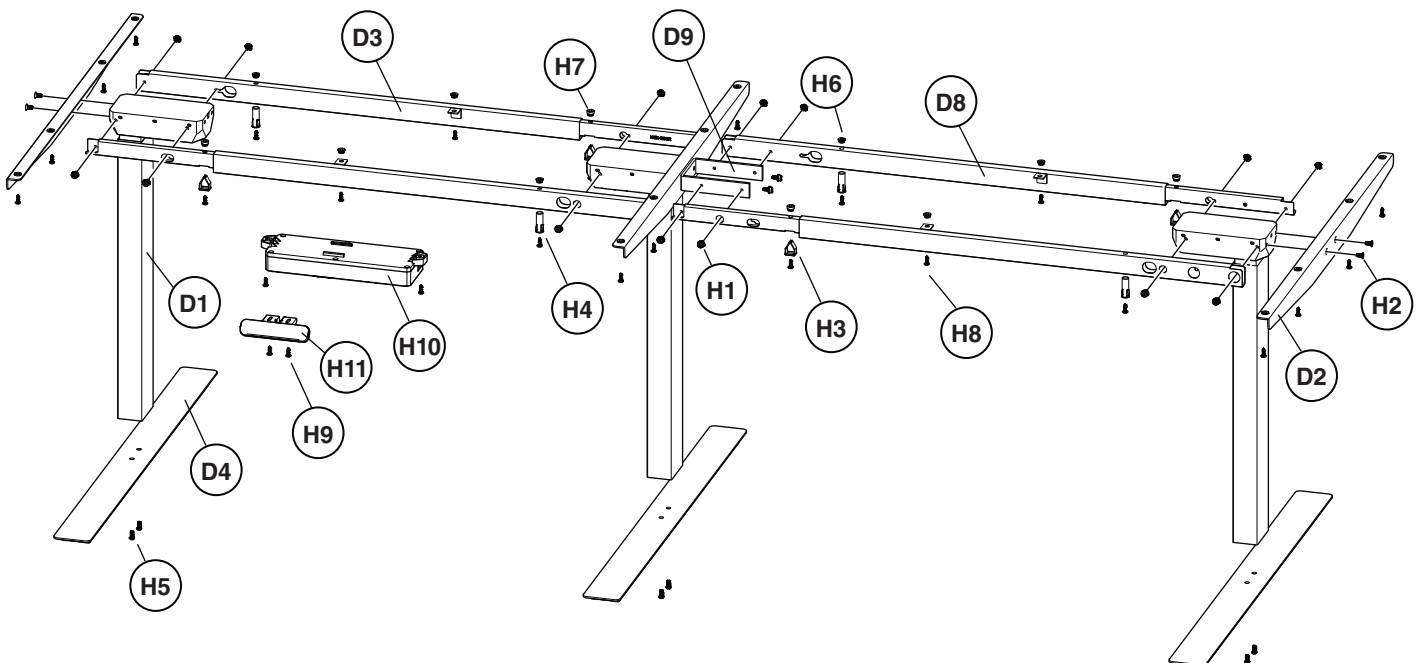
## DESK COMPONENTS

<b>D1</b>  Leg 3x	<b>D2</b>  Side bracket 3x	<b>D3</b>  Crossbar rail 2x	<b>D4</b>  Foot 3x
<b>D8</b>  Crossbar rail (Addon leg) 2x	<b>D9</b>  Addon bracket 1x		





## HARDWARE

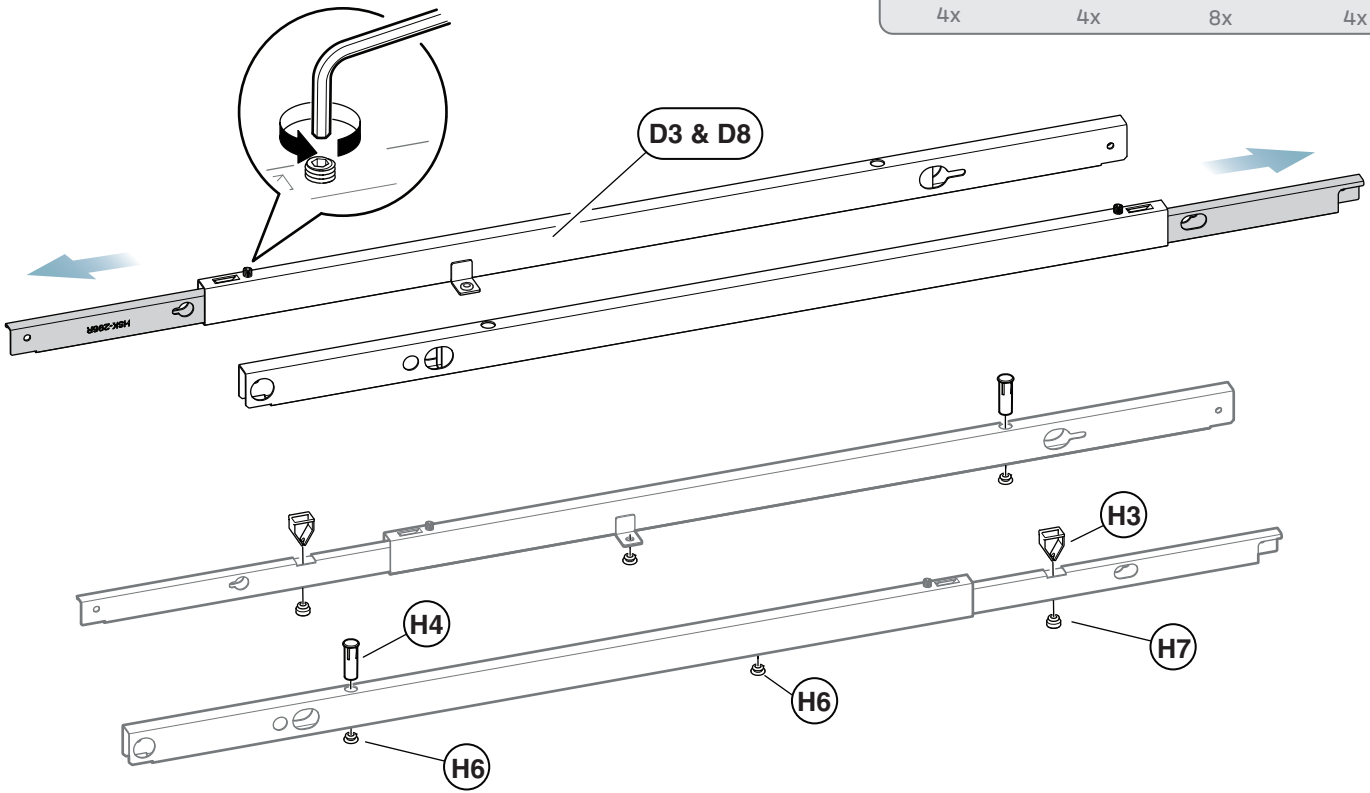
<b>H1</b>  M6x12 18x	<b>H2</b>  M6x10 4x	<b>H3</b>  Screw clamp 4x	<b>H4</b>  Screw guide bush 4x	<b>H5</b>  M8x14 6x	<b>H6</b>  2mm rubber 8x	<b>H7</b>  5mm rubber 4x
<b>H8</b>  Tapping screw 5x20 26x	<b>H9</b>  Tapping screw 5x16 2x	<b>H10</b>  Control box 1x	<b>H11</b>  Handset 1x	<b>H12</b>  Power cable 1x	<b>H13</b>  Leg cable (short) 1x	<b>H14</b>  Leg cable (long) 1x
<b>T1</b>  Hex key 1x						

Note: There may be additional hardware included in the package, as these are used for different desk configurations.

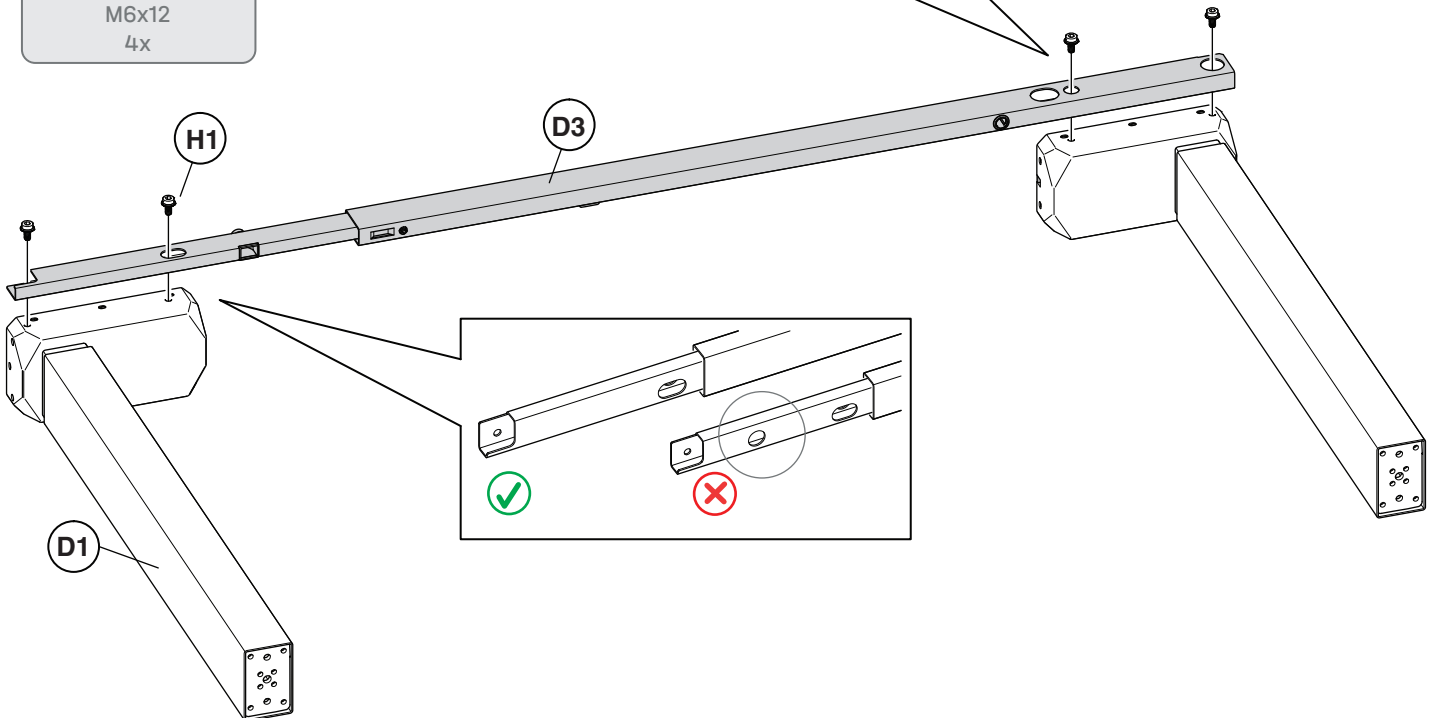
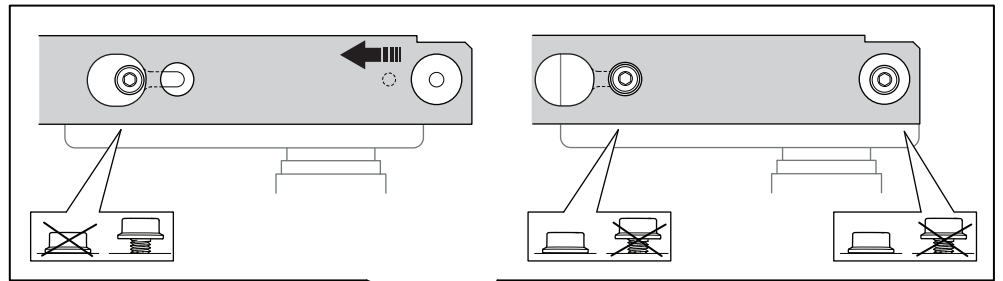
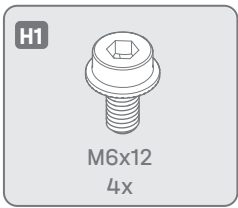


1

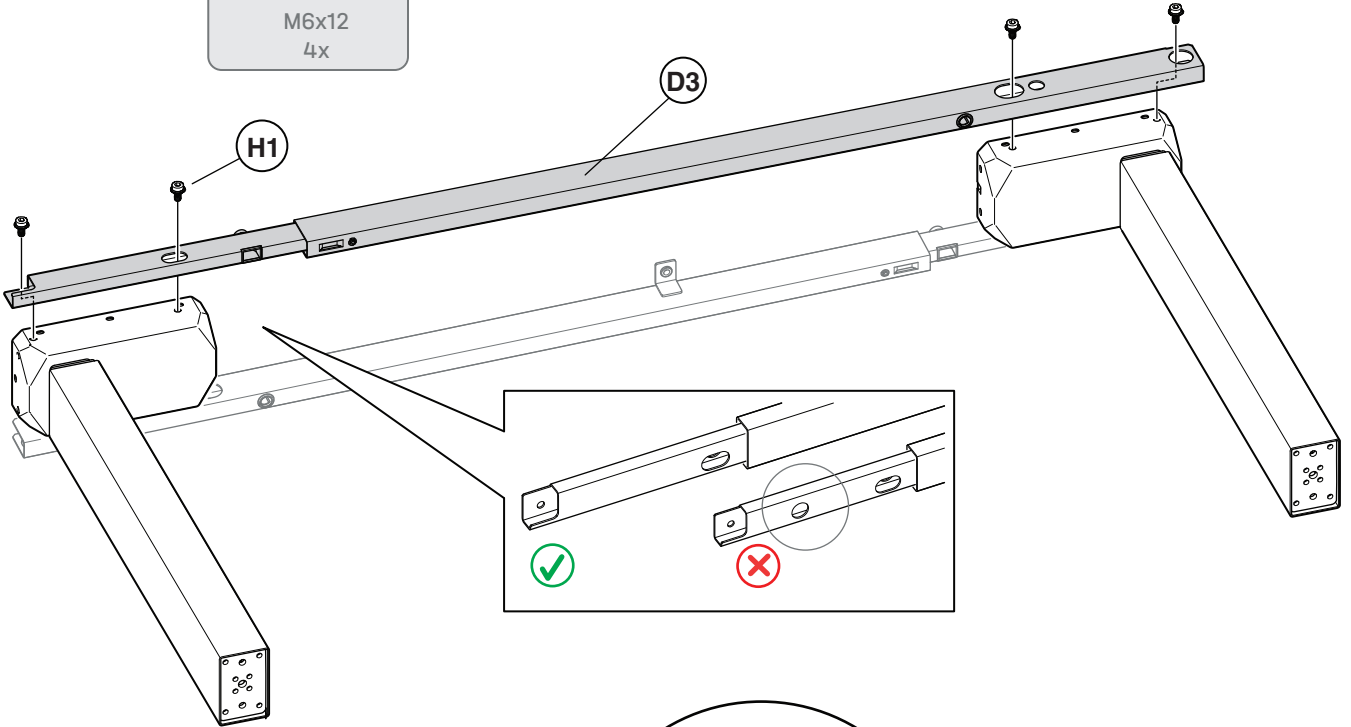
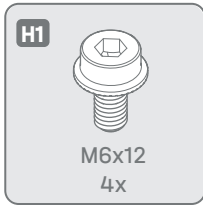
<b>H3</b>  Screw clamp 4x	<b>H4</b>  Screw guide bush 4x	<b>H6</b>  2mm rubber 8x	<b>H7</b>  5mm rubber 4x
--	--	--	--



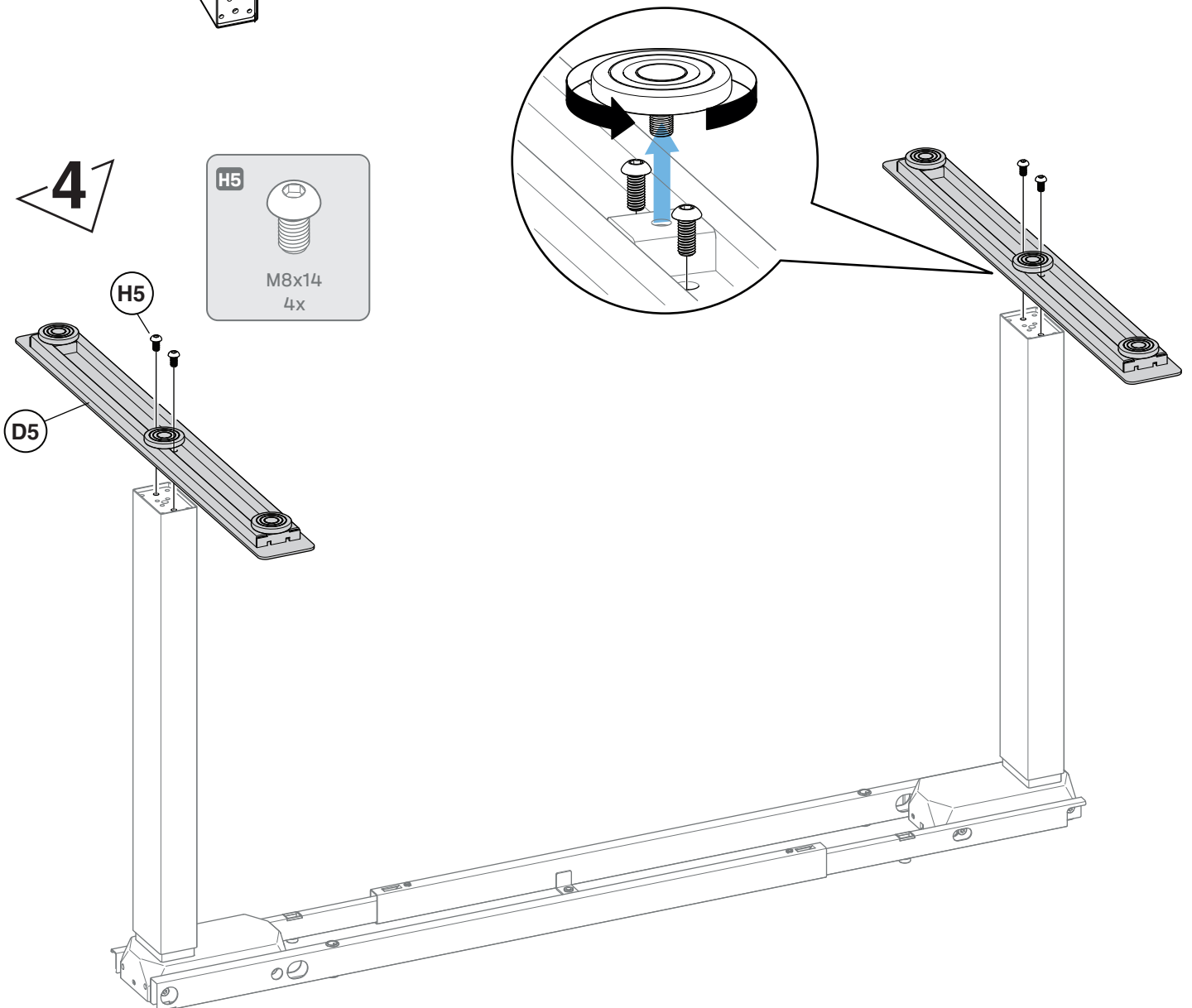
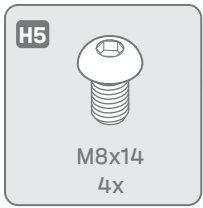
2



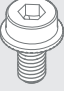

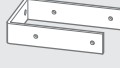
3

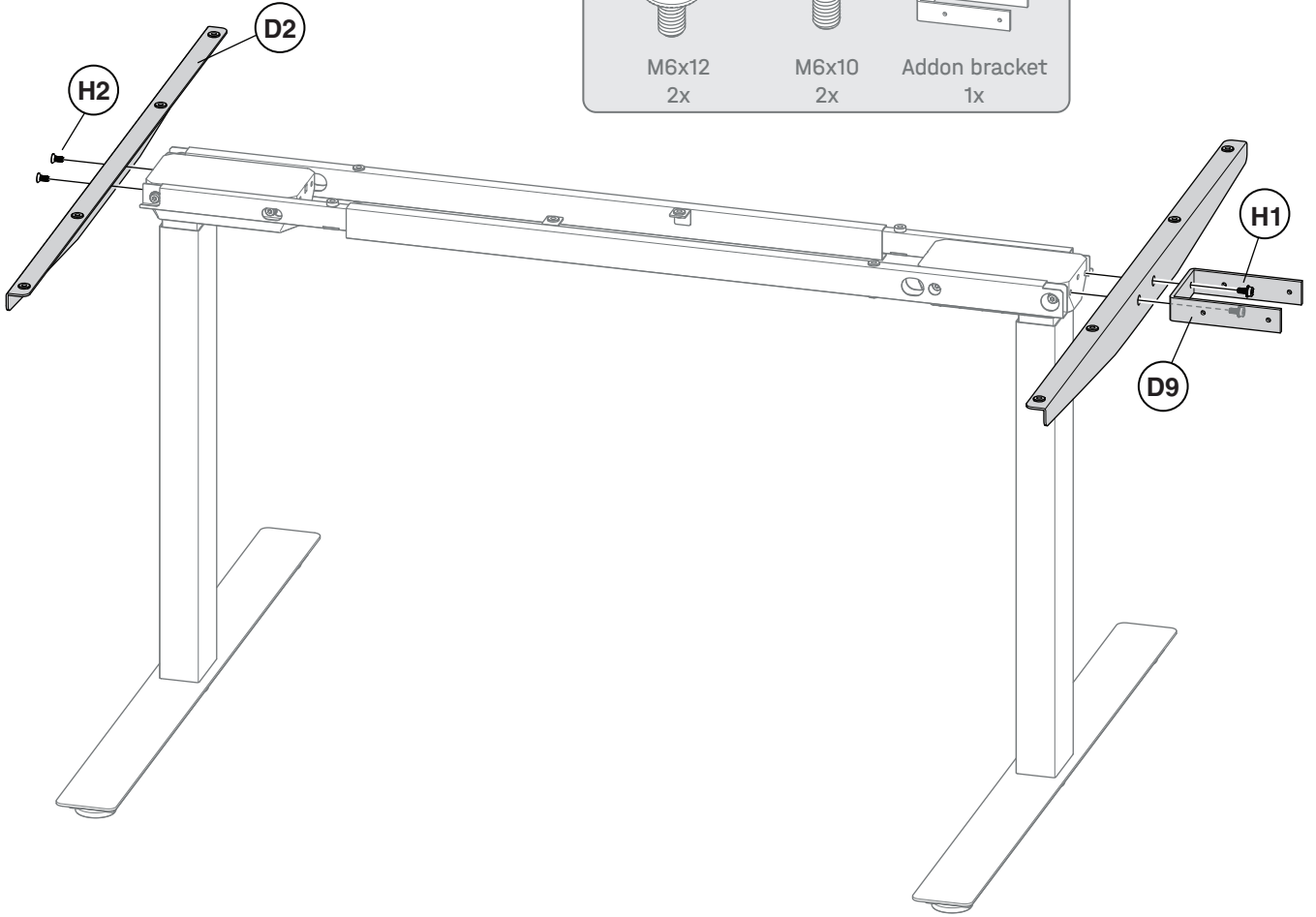


4

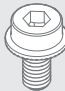



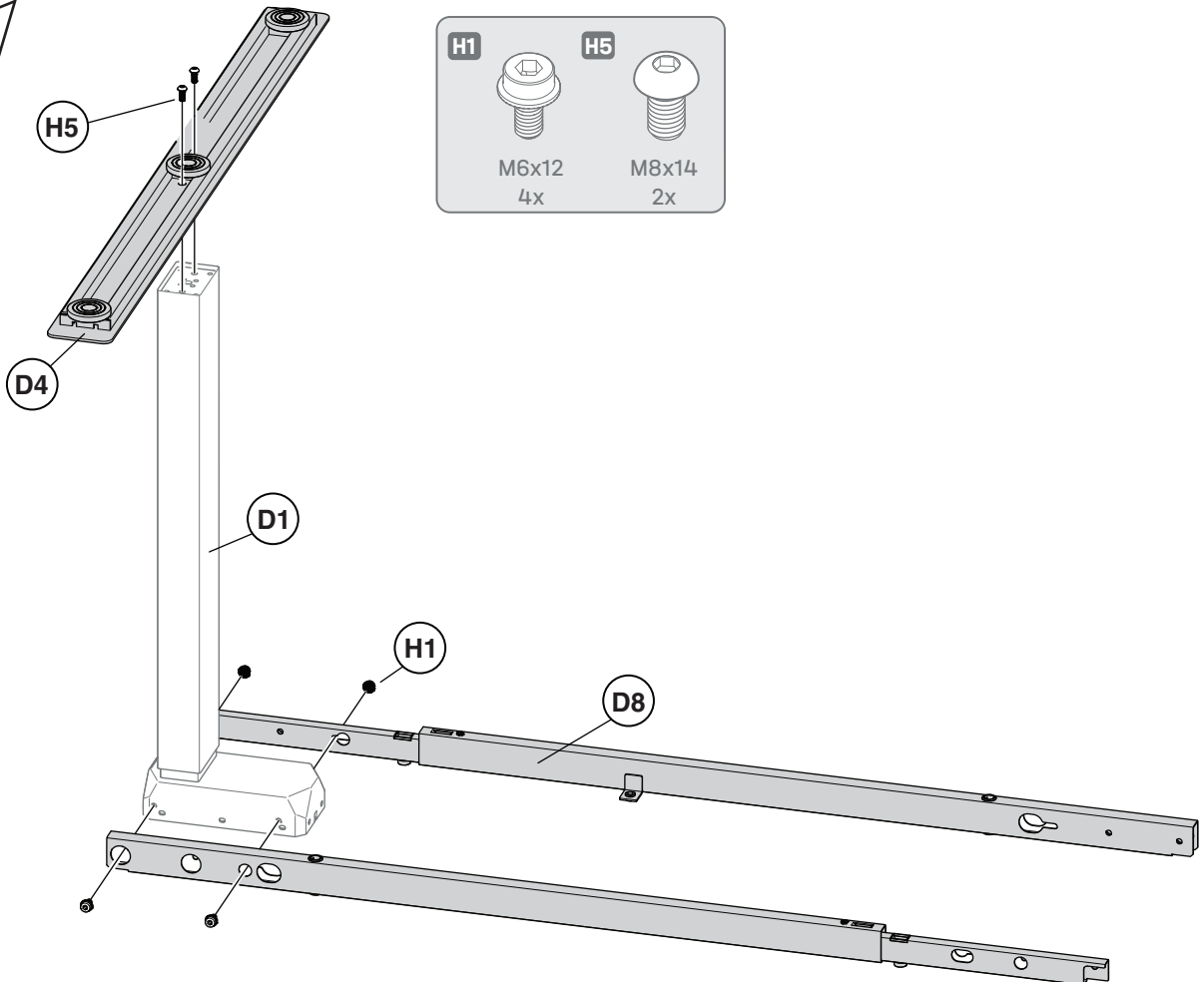
5

<b>H1</b>	<b>H2</b>	<b>D9</b>
		
M6x12 2x	M6x10 2x	Addon bracket 1x

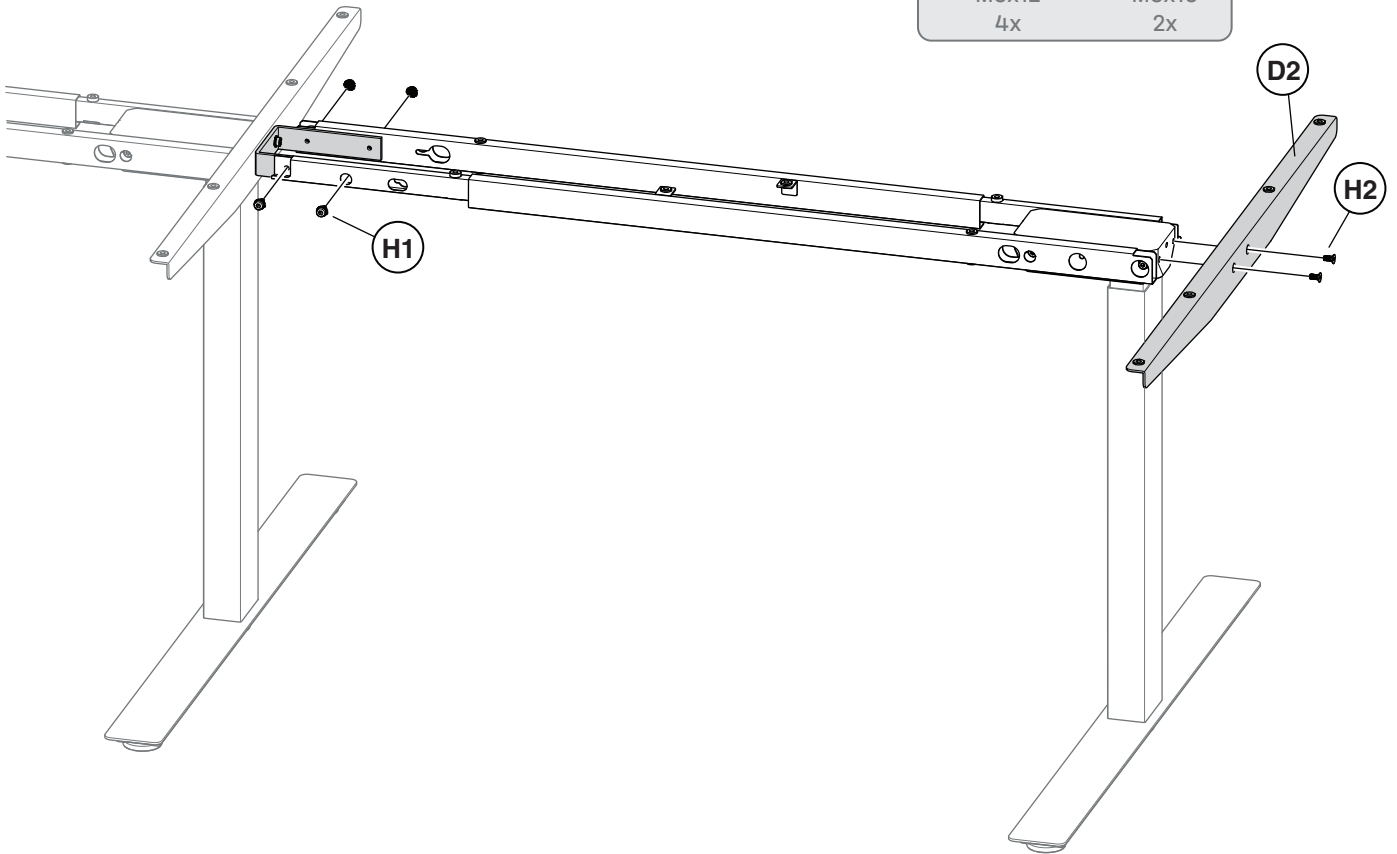
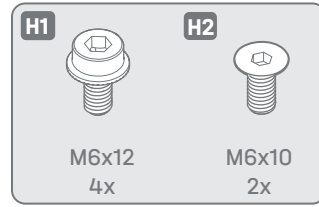


6

<b>H1</b>	<b>H5</b>
	
M6x12 4x	M8x14 2x



7



8

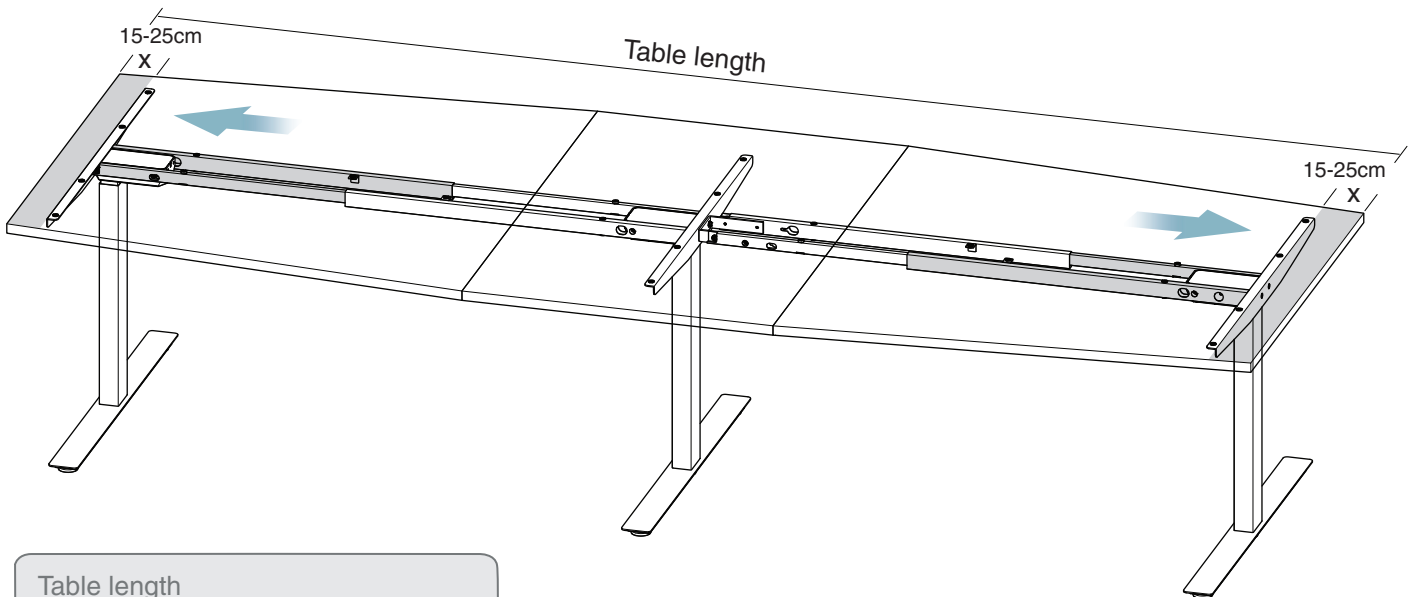
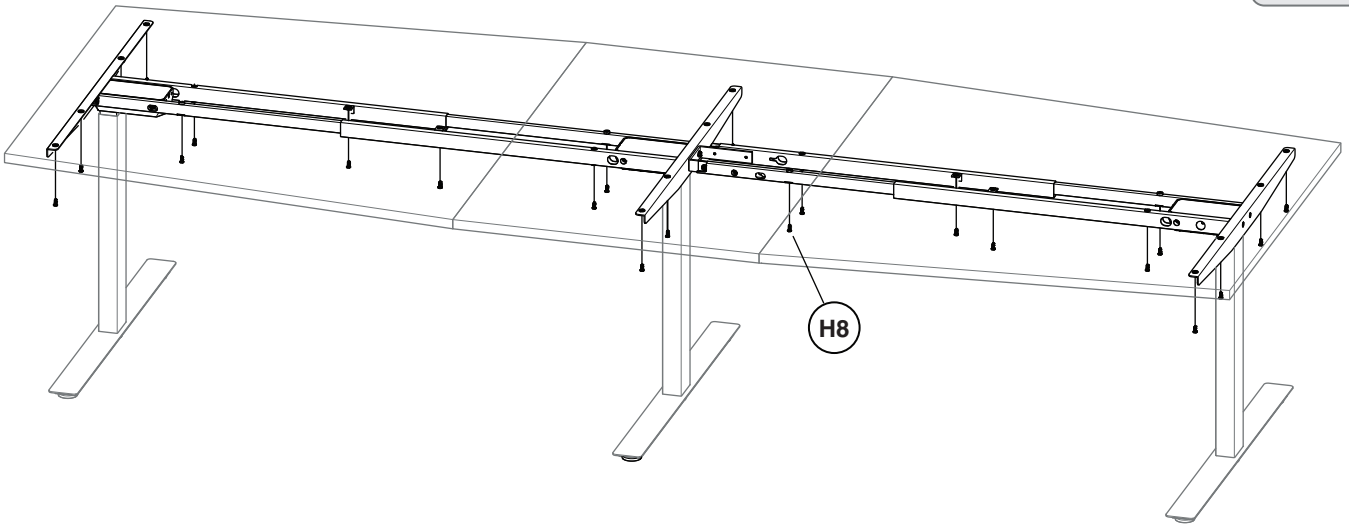


Table length	
3200 mm (3-leg)	X = 150 mm
4000 mm (3-leg)	X = 250 mm

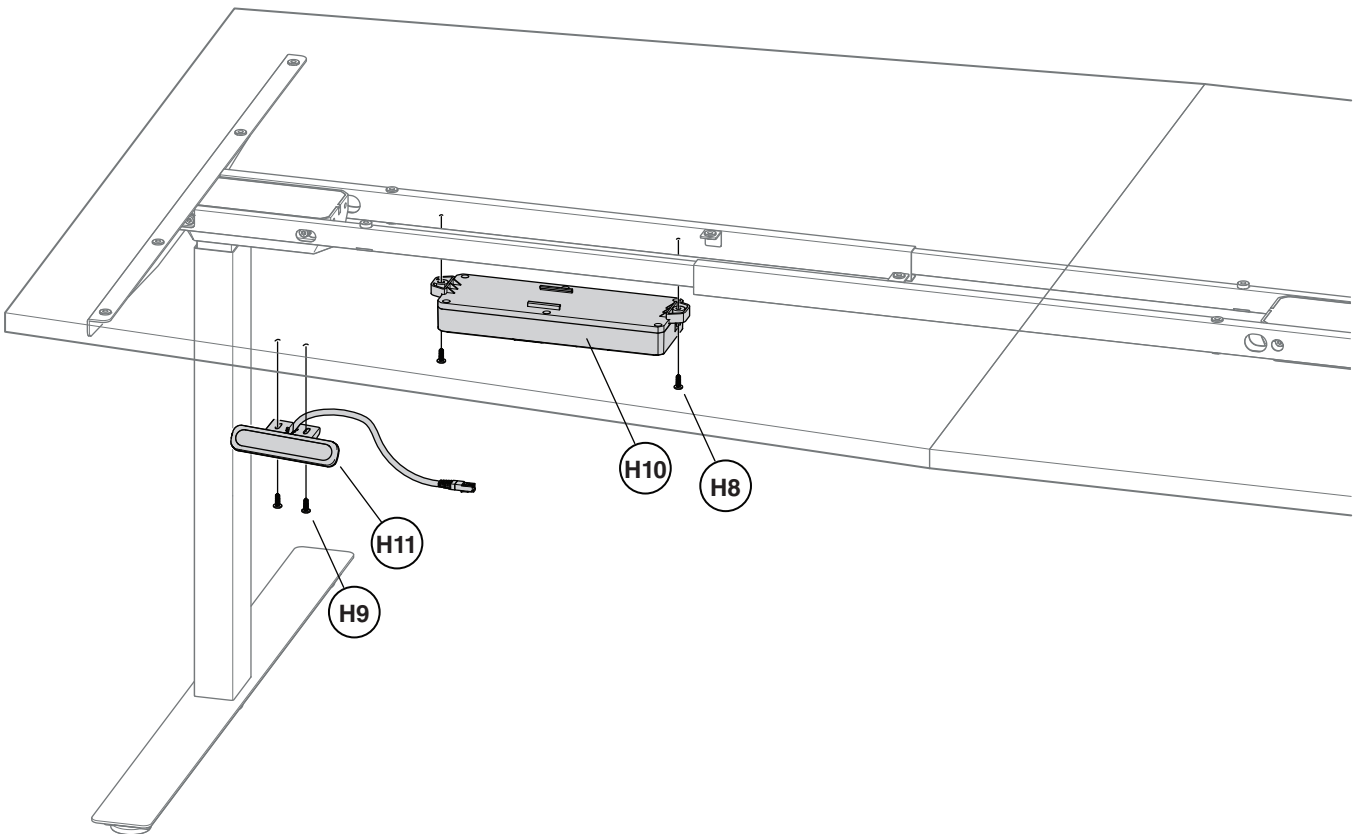
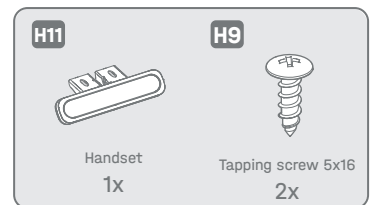
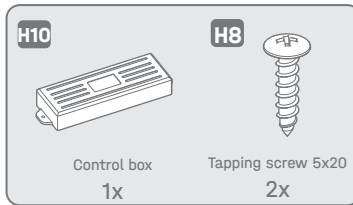
Leg placement guide



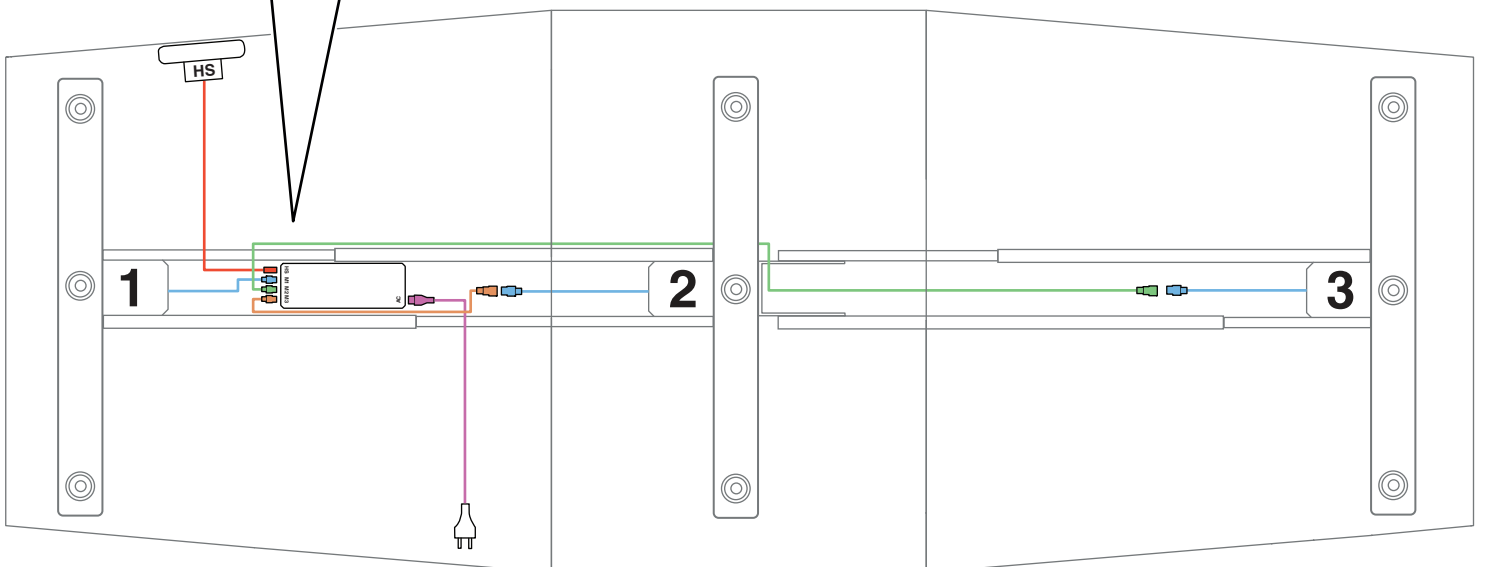
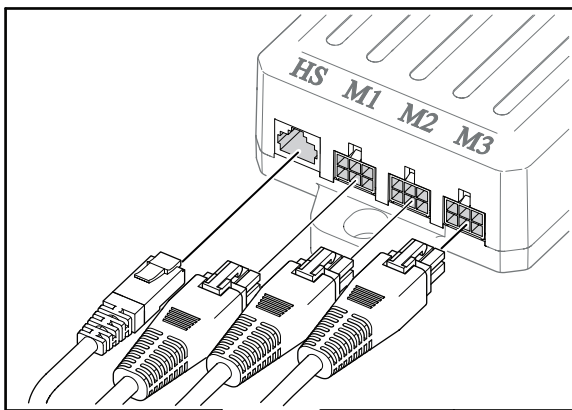
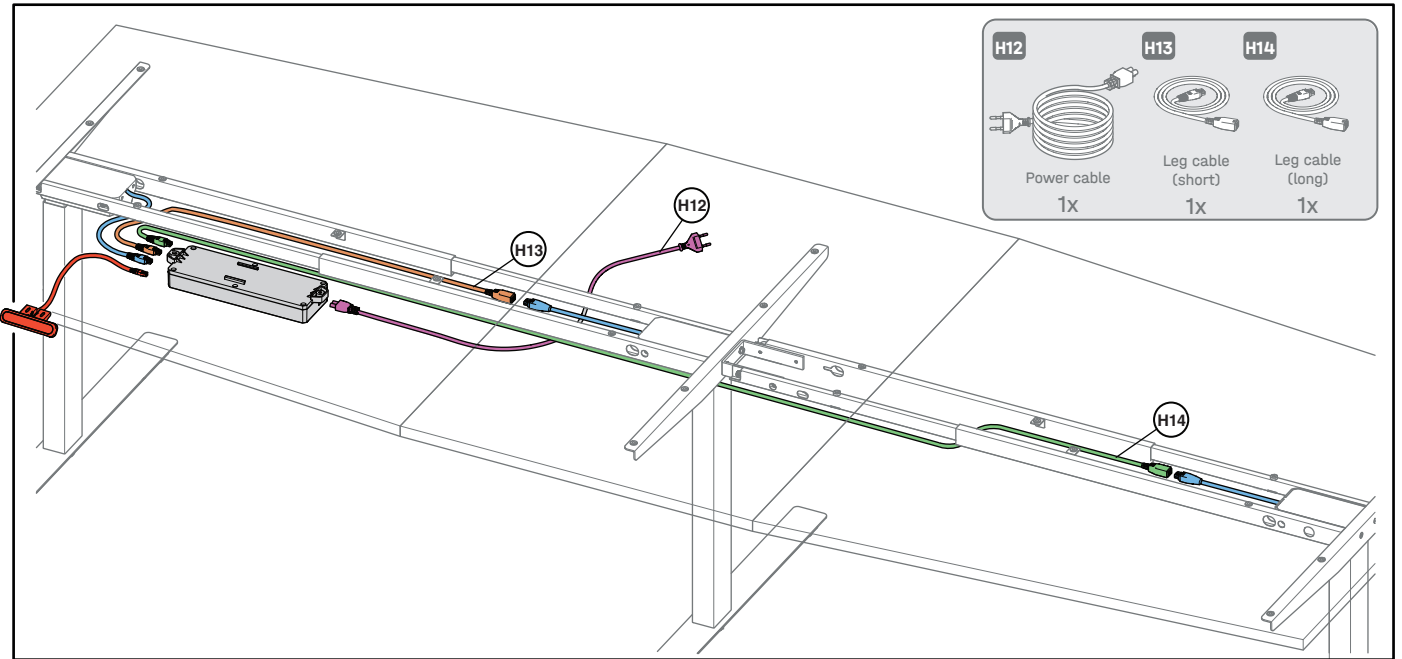
9



10



# 11

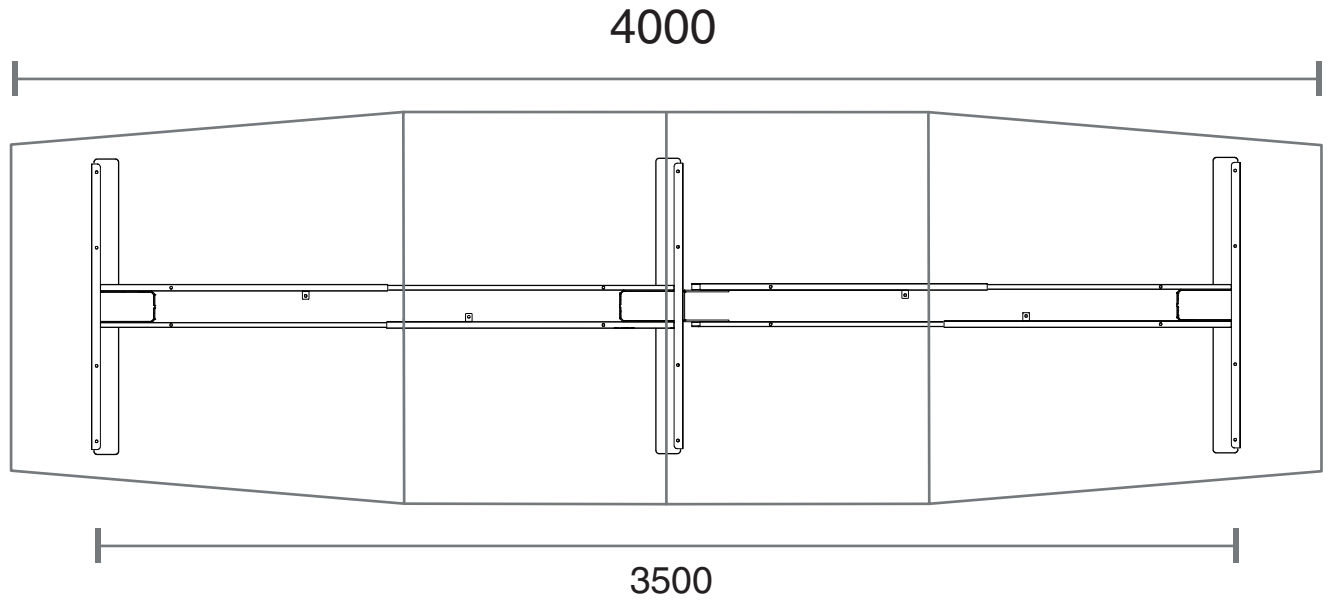
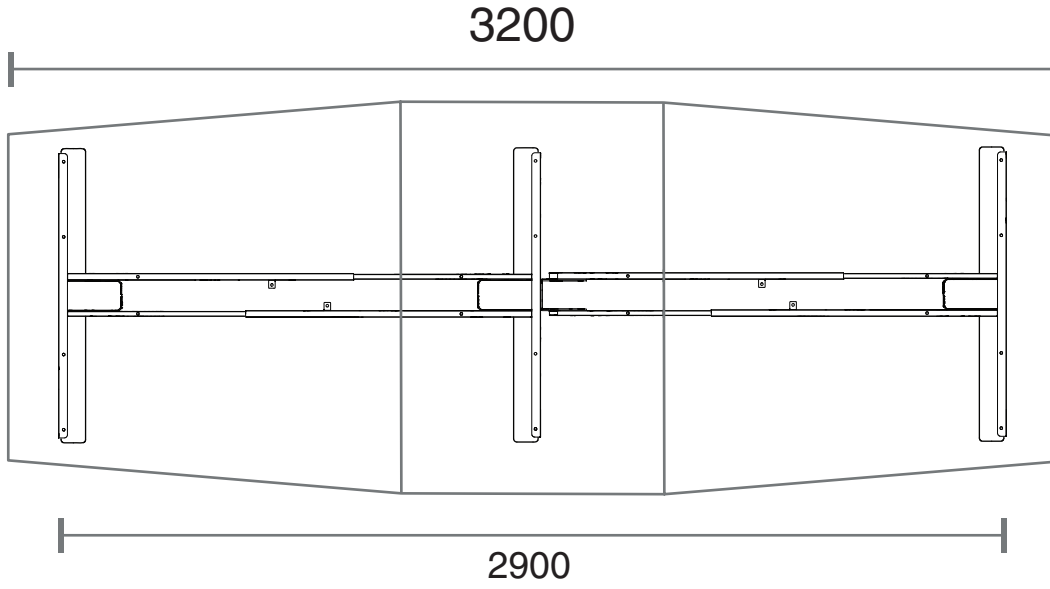


Underside view



# LEG PLACEMENT GUIDE

## TOP VIEW



# Assembly instructions - 3 leg conference table

English

---

## Step 1

The crossbar rails (**D3 & D8**) are compressed when delivered.

1. Loosen the set screws slightly and extend the inner rail.
2. Attach rubber bushing (**H6**) and plastic screw guide bushing (**H4**) on the **thicker** part of the crossbar rail.
3. Install rubber bushing (**H7**) and triangular screw clamp (**H3**) on the **thinner** side of the crossbar rail.
4. Repeat step 1-4 for all crossbar rails (**D3 & D8**).

---

## Step 2

1. Take the corner leg (**D7**) and one leg (**D1**) and lay them on a flat surface.
2. Place a crossbar rail (**D3**) across the legs, ensuring the rubber bushings face upwards towards the table top.
3. Attach the crossbar to the leg with four M6×12 screws (**H1**).

---

## Step 3

1. Flip the assembly and place the second crossbar rail (**D3**), install with four M6×12 screws (**H1**).

---

## Step 4

1. Install the the feets by using four M8×14 screws (**H5**). Unscrew the middle plastic feet guide to reveal the mounting holes. Install the feet guide again after tightening the screws.

---

## Step 5

1. Install one side bracket together with the Addon bracket (**D9**) using two M6×12 screws (**H1**).
2. Install the remaining side bracket with two M6×10 screws (**H2**).

---

## Step 6

1. Take the remaining leg (**D1**) and install the addon crossbar rails (**D8**), using four M6×12 screws (**H1**).
2. Install the feet by using two M8×14 screws (**H5**).

---

## Step 7

1. Install the addon leg assembly to the frame by using four M6×12 screws (**H1**) on the addon bracket.
2. Install the remaining side bracket to the addon leg assembly, using two M6×10 screws (**H2**).

---

## Step 8

1. Adjust the width of the frame assembly by moving the legs closer together or farther apart.
2. Make sure there is approx. 15cm cm gap between the frame and the edge of the table top for table width 3200mm, and approx. 25cm gap for 4000mm table width.
3. Tighten all the set screws on the crossbar rails.

---

## Step 9

1. Fix the tabletops to the frame, using the included tapping screws 5×20mm (H8).
- 

## Step 10

1. Use two tapping screws 5×20 (H8) to fix the control box (H10). Place it between the two crossbars, near one of the legs so the leg cable have sufficient length to the control box.
  2. Use two 5×16 screws (H9) to fix handset (H11).
- 

## Step 11

3. Connect the handset (H11) into the control box (H10) in port labeled "HS".
4. Connect the leg cable which is nearest to the control box in port labeled "M1".
5. Connect the middle leg with the included extension leg cable (H13), and then into port labeled "M2" on the control box.
6. Connect the leg (addon leg) furthest away from the control box with the included extension leg cable (H14), and then into port labeled "M3" on the control box.
7. Plug the power cable (H12) into port labeled "AC" on the control box. Plug your desk into a electrical outlet.

**Note! Before using your desk, a desk reset is required. See chapter 1 in your user manual for the handset.**